



# RADMAN SANAT NASR

wind research tunnel with test chamber





# RADMAN SANAT NASR

## Liquid-Liquid Extraction Unit RU 093





## RADMAN SANAT NASR

Crude Oil Ultrasonic Desalting Pilot (1 barrel per day)  
RR 140





# RADMAN SANAT NASR

Product : Heat Conduction in SolidRH 067



## PAYAPRESS IND

### Busbar Punching and Cutting Machine



**CSROLL**

**IHTECC**

**CHODAN SAZAN**

Ruffing rollers



<https://www.csroll.com/>



**BONAFZAR**

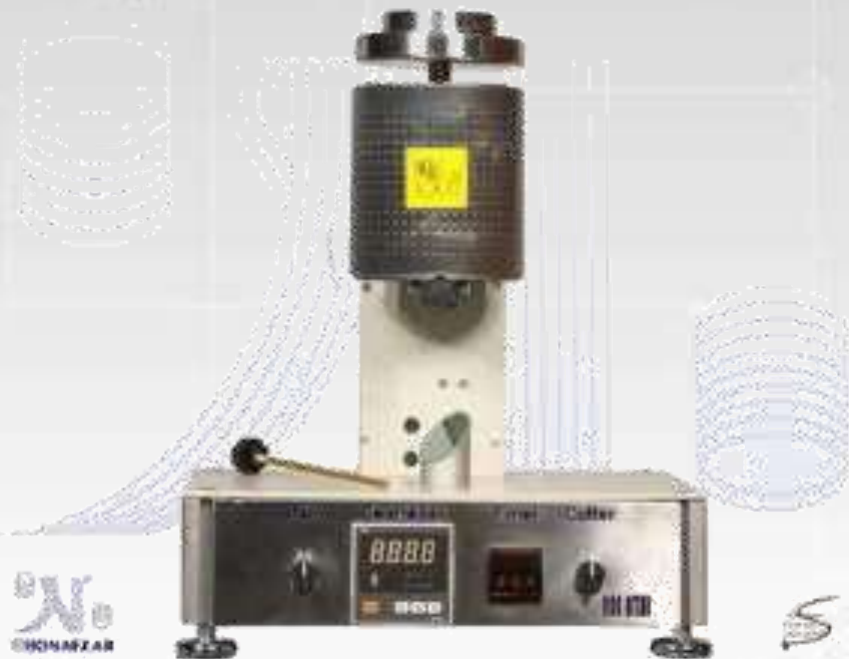
Hydrostatic testing machine for CNG tanks





**BONAFZAR**

**MFR-MFI**







# BONAFZAR

## Tensile testing machine





# BONAFZAR

Dynamic sealing device





**BONAFZAR**

Hydrostatic testing machine

[www.bonafzar.com](http://www.bonafzar.com)

**IHTECC**





**BONAFZAR CO**

thermal analysis device (OIT)



# SANAF ARIYA ELECTRONICS

Universal Tensile tester



# SANAF ARIYA ELECTRONICS

Thermal Analysis



# SANAF ARIYA ELECTRONICS

Laboratory reactor



# SANAF ARIYA ELECTRONICS

SQUEEZE OFF test device





# SANAF ARIYA ELECTRONICS

HOT PRESS machine



# SANAF ARIYA ELECTRONICS

HDT/VICAT



# SANAF ARIYA ELECTRONICS

## Melt Flow Index (MFI) Tester



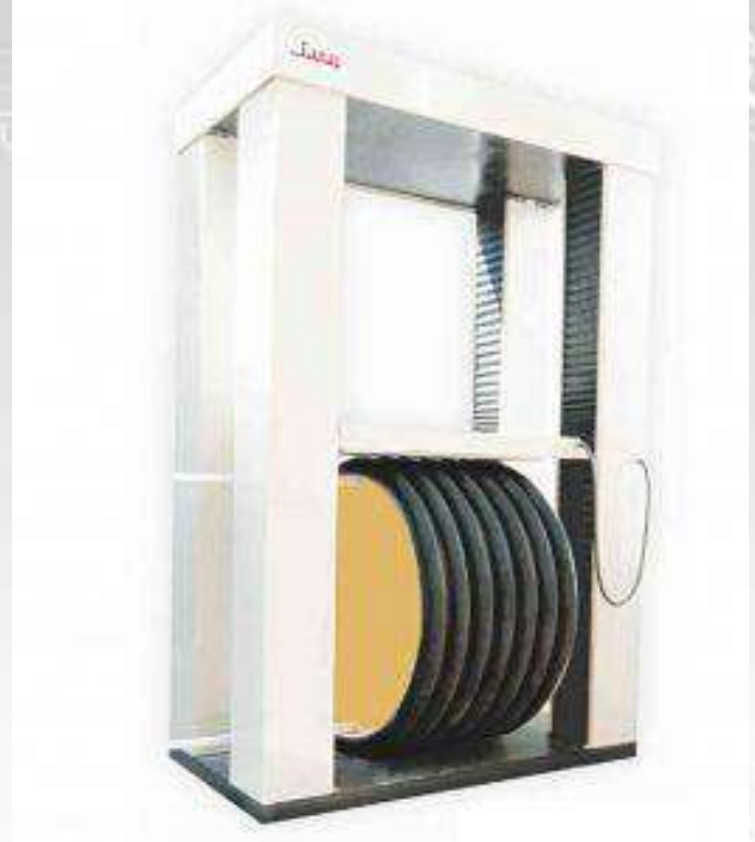
# SANAF ARIYA ELECTRONICS

## BRITTLENESS TEMPERATURE TESTER



# SANAF ARIYA ELECTRONICS

## RING STIFFNESS



# SANAF ARIYA ELECTRONICS

CBC (Carbon Black Content) Tester



# SANAF ARIYA ELECTRONICS

Hydrostatic pressure testing machine



# SANAF ARIYA ELECTRONICS

Cof friction coefficient tester





# SANAF ARIYA ELECTRONICS

Thermogravimetric Analysis (TGA)





**GODAKHTAR  
INDUSTRIES**

**IHTECC**

Check valve



<https://www.godakhtar.com>



**GODAKHTAR  
INDUSTRIES**

Gate valve

<https://www.godakhtar.com>

**IHTECC**





**GODAKHTAR  
INDUSTRIES**



Globe valve



<https://www.godakhtar.com>



**GODAKHTAR  
INDUSTRIES**



ball valve



<https://www.godakhtar.com>



**GODAKHTAR  
INDUSTRIES**



**Plug Valve**



<https://www.godakhtar.com>

# HAVAYAR INDUSTRIAL GROUP

Screw Compressor



# HAVAYAR INDUSTRIAL GROUP

AIR DRYER HEATER SUPPLIED





# FOOLAD MACHINE

Machine for production of pipes and heavy steel sections



# SHAHAB INDUCTION

High frequency induction systems



# SHAHAB INDUCTION

Induction aluminum welding machine



# SHAHAB INDUCTION

Induction welding machine



# SHAHAB INDUCTION

Temperink device



# SHAHAB INDUCTION

Induction forming type device



# SHAHAB INDUCTION

Induction hardening device



# AZMOON SAZ MABNA

Universal Tensile tester





## AZMOON SAZ MABNA

Devices for determining the tensile, compressive and bending strength of building materials



## AZMOON SAZ MABNA

Concrete breaker jack, mortar breaker jack, single axis stone, three axis stone



## AZMOON SAZ MABNA

Automatic direct stone cutting machine



## AZMOON SAZ MABNA

Cyclic three-axis pneumatic



# GLOBAL MTM

## Automated Dynamic Triaxial System





# GLOBAL MTM

## Automatic Oedometer



<http://globalmtm.com/>

# GLOBAL MTM

Direct shear 300\*300/Direct shear 100100



# GLOBAL MTM

## Static Triaxial







# GLOBAL MIM

## Dynamic Pullout



# GLOBAL MTM

## Dynamic Simple Shear (2D)



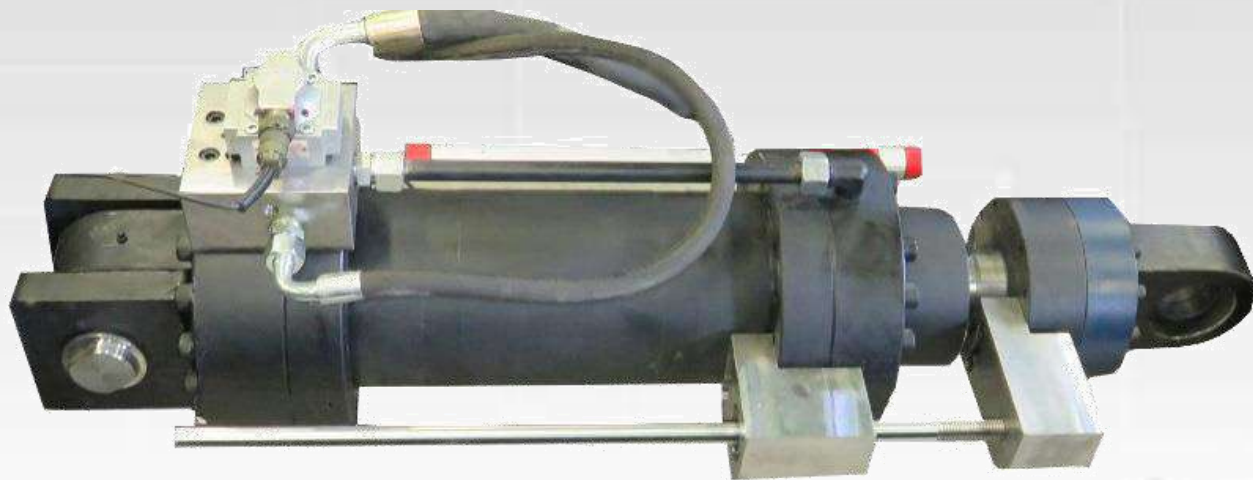
## GLOBAL MTM

CBR-Marshall apparatus



# GLOBAL MTM

Static class of actuators



# GLOBAL MTM

Cyclic hydraulic actuator



**KOOPA**

KOOPA

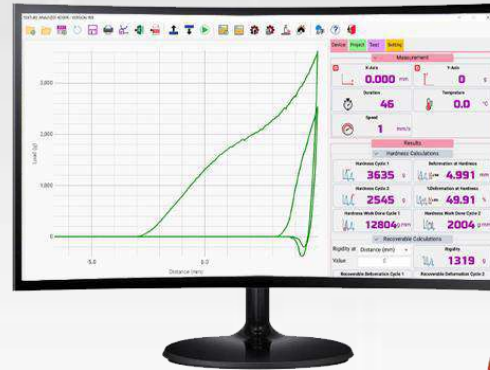
Universal hardness tester

[www.koopaco.com](http://www.koopaco.com)

IHTECC



## Texture gauge and its accessories



**KOOPA**

**IHTECC**

**KOOPA**

## Microhardness hardness tester model MH4 and its accessories





# KOOPA

IHTECC

## KOOPA

D06 portable hardness tester



**KOOPA**

**IHTECC**

**KOOPA**

## Hardness block test



# KIMIA MACHINE ALBORZ

Syclo Filter



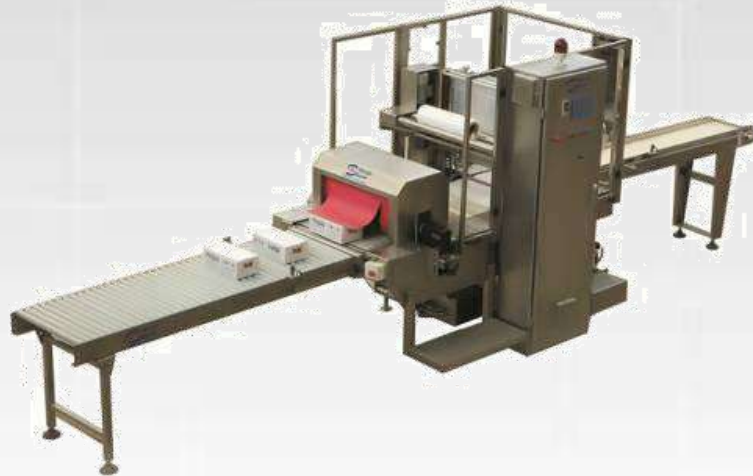
# SHARGHSANAT INDUSTRIAL GROUP

UF (Ultra Filtration) Feta Cheese Packing Line



# SHARGHSANAT INDUSTRIAL GROUP

## Shrink Pack Machine



# SHARGHSANAT INDUSTRIAL GROUP

Labeling machine with glue



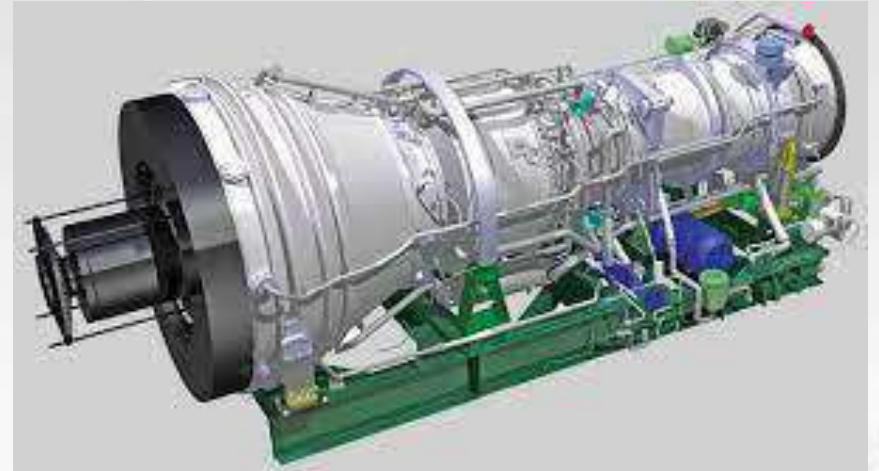
# SHARGHSANAT INDUSTRIAL GROUP

FORM-FILL-SEAL



# MIDDLE EAST INDUSTRIAL GAS TURBINES

Design And Manufacture of  
Industrial Gas Turbine







# IDEH PARDAZAN VATAN CO.

Flow Forming Machine-Metal spinning



شرکت فرزانہ آرمان

FARTEST

IHTECC

FARZANEH ARMAN CO

High speed centrifuges



<https://fartest.ir>

شرکت فرزانہ آرمان

FAR TEST

FARZANEH ARMAN CO

Plasma vacuum blood collection test tube

<https://fartest.ir>



IHTECC

توربین ماشین خاورمیانه  
Turbine Machine m.e.  
تکنولوژی توربین های گاز، بخار و کمپرسور



# TURBIN MACHINE M.E PARTS SUPPLIER

Gas turbin





اشتعال اراک  
ESHTEAL ARAK  
تاسیس شده در سال ۱۳۸۰



# ESHTEAL ARAK

## Pressure Jet Burner



<https://www.eshtearak.com/>

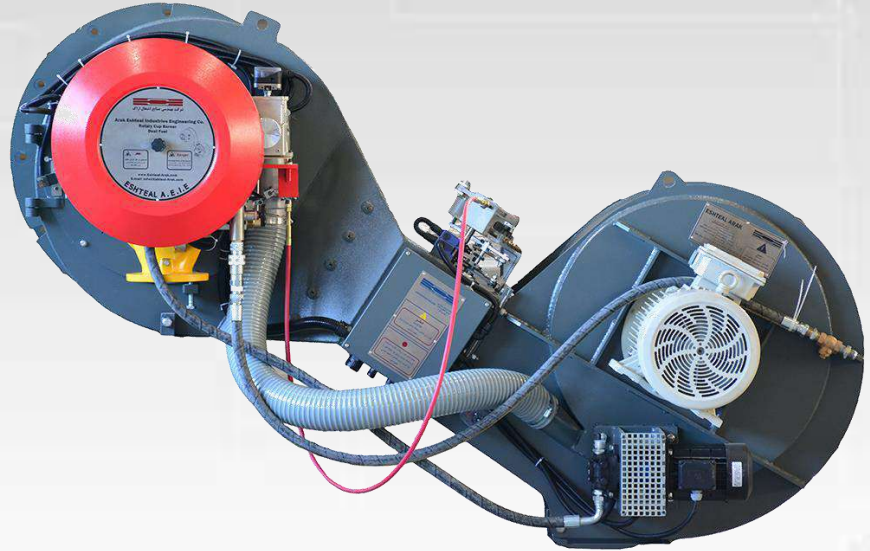


اشتعال اراک  
ESHTEAL ARAK  
تاسیس سال ۱۳۸۰ هجری شمسی



# ESHTEAL ARAK

## Rotary cup torch



<https://www.eshtearak.com/>



اشتعال اراک  
ESHTEAL ARAK  
تاسیس شده در سال ۱۳۸۰

# ESHTEAL ARAK

## Safety Valve

<https://www.eshtearak.com/>

IHTECC





# RAEI MACHINERY

Twisting machine Yarn





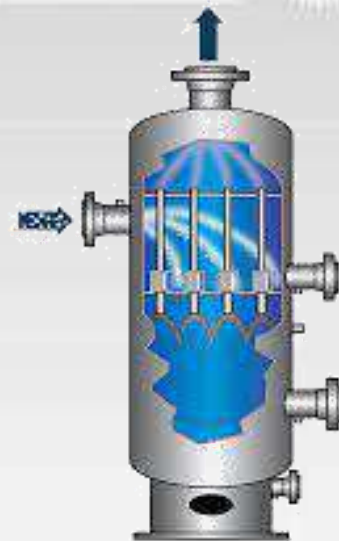
# PETRO GAS PARSA

## Gas Regulator



# PETRO GAS PARSA

## Multicyclone scrubber





شرکت مهندسی سپاهان القا  
SEPAHAN ELGHA CO.



# SEPAHAN ELGHA

## Portable Melting Furnaces





شركة مهندسی سپاهان القا  
SEPAHAN ELGHA CO.

# SEPAHAN ELGHA

## HIGH CAPACITY MELTING FURNACES

[www.sepahan-elgha.com](http://www.sepahan-elgha.com)



IHTECC



# MOJ E FANAVARI HOOSHMAND

Preheating and Heat Treatment Furnaces





# PAYABORESH VISION

Cnc cutting/Cnc Punch/Cnc brake press





# PAYABORESH VISION

CNC Laser cutting





# PAYABORESH VISION

CNC Punch





# YARNIKANSALEH

## Industrial Cathodic Arc Deposition System



# YARNIKANSALEH

## Mass Flow Controller



# YARNIKANSALEH

## Crystal Thickness Gauge



# YARNIKANSALEH

Plasma Sterilizer



# YARNIKANSALEH

## VACUUM METER



# YARNIKANSALEH

Diffusion Pump



# YARNIKANSALEH

Multi-purpose Coating System



## KIASA

spring loaded and pilot operated  
safe relief valves







**FARS EOR  
TECHNOLOGIES**

**IHTECC**

Pressure volume temperature (PVT) analyzer



<http://www.fet-co.com/>



FARS EOR  
TECHNOLOGIES

IHTECC

Liquid Permeability measurement



<http://www.fet-co.com/>



FARS EOR  
TECHNOLOGIES

IHTECC

Liquid Liquid Liquid Gas Unsteady State Relative  
Permeameter



<http://www.fet-co.com/>



# FARS EOR TECHNOLOGIES



Pressure volume temperature (PVT) analyzer with  
below 400 bar





FARS EOR  
TECHNOLOGIES

IHTECC

Recombination Cell



<http://www.fet-co.com/>



**FARS EOR  
TECHNOLOGIES**

**IHTECC**

**High Pressure Syringe Pump**



<http://www.fet-co.com/>



شیمی آذر جام



# SHIMI AZAR JAM

Glassline Coatings





شیمی آذر جام



# SHIMI AZAR JAM

Glassline reactors





R.G.Q.



# RASTA GROUP INDUSTRIAL VALVE

spring opposed pneumatically operated  
diaphragm Actuator



R.G.Q



# RASTA GROUP INDUSTRIAL VALVE

Butterfly Valve

<http://rastagroup.net>

IHTECC





**Taam Locomotive Arya**

Wide range of Ability and Quality



# TAAM LOCOMOTIVE ARYA

The main locomotive generator



<http://www.taamlocomotive.com>

# TAAM LOCOMOTIVE ARYA

Traction motor



# TAAM LOCOMOTIVE ARYA

Diesel turbocharger





# HEJAZIAN MACHINE DESIGNER CO

[Industrial mill roller separator (Raymond Mill)



# SEVEN DIAMONDS

Four-roller cold rolling machine



# CONTROL SYSTEM

## Refractometer





# CONTROL SYSTEM

## Flame Photometer



# CONTROL SYSTEM

Electromagnetic flowmeter



# CONTROL SYSTEM

Conductivitymeter



## KARA SANAT TADBIR PAYA

Vacuum system/Ejector



## KARA SANAT TADBIR PAYA

Vacuum Package





PHEDCO

## Continuous Zonal Centrifuge





# SANAT ESPADANA

GOROOHE SAZANDEGAN SANAT  
ESPADANA

Globe Control Valve





# SANAT ESPADANA

GOROOHE SAZANDEGAN SANAT  
ESPADANA

Rotary pneumatic actuator with spring and diaphragm mechanism in two types (Fail CW, Fail CCW)







# SANAT ESPADANA

GOROHE SAZANDEGAN SANAT  
ESPADANA

Pressure safety valves





# SANAT ESPADANA

GOROHE SAZANDEGAN SANAT  
ESPADANA

Pressure Reducing Regulators





# SANAT ESPADANA

GOROHE SAZANDEGAN SANAT  
ESPADANA

Back Pressure Regulators





# SANAT ESPADANA

GOROHE SAZANDEGAN SANAT  
ESPADANA

Pressure safety valves



# ARIANA MODERN INDUSTRY

Pin on disk wear test system



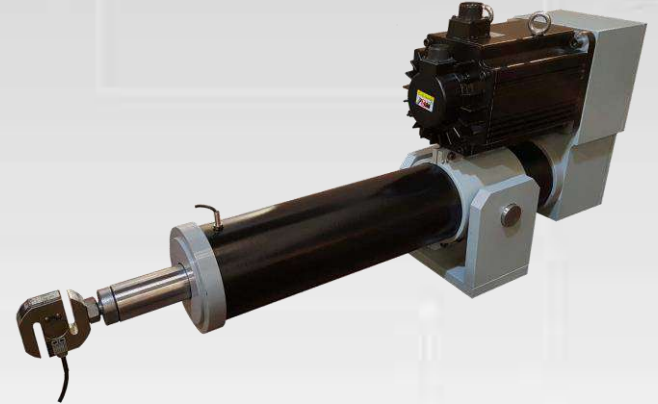
# ARIANA MODERN INDUSTRY

Electromechanical linear servo actuator



# ARIANA MODERN INDUSTRY

Electromechanical linear actuator



# ARIANA MODERN INDUSTRY

NON-API rotary valve actuator







## ESFAHAN PACK

Fully automatic sewing polyethylene shrink machines





گروه صنعتی  
کندر صنعت پارتیان  
KSP INDUSTRIAL GROUP LTD.

IHTECC

# KONDOR SANAT PARTIAN INDUSTRIAL GROUP CO

WELLHEAD HYDARULIC CONTROL PANEL (WHCP)





# HILAVIS ARINA

Coil Wound Heat Exchanger





# HILAVIS ARINA

## Plate Fin Heat Exchanger





# HILAVIS ARINA

Shell & Tube



# HILAVIS ARINA

## Surface Condenser



# MAPNA PARS

MAPNA GENERATOR ENGINEERING  
AND MANUFACTURING CO PARS

Gas generator MGG58



# MAPNA PARS

MAPNA GENERATOR ENGINEERING  
AND MANUFACTURING CO PARS

Gas generator MGG55







شرکت مهندسی ماشین های دوار خاوار طوس  
KHAVAR TOOS ENGINEERING CO.



# KHAVAR TOOS ENGINEERING

Class centrifugal pump  
KMSH





شرکت مهندسی ماشین های دوار خاور طوس  
KHAVAR TOOS ENGINEERING CO.



# KHAVAR TOOS ENGINEERING CO

Class centrifugal pump  
KMSH-RO



# KHAVAR TOOS ENGINEERING

Class centrifugal pump  
KMSH-API610





# TAPKA

## TAPKA INDUCTION FURNACE MANUFACTURING

### Induction Melting Furnace



<https://tapka.ir>

# TAPKA

## TAPKA INDUCTION FURNACE MANUFACTURING

Pipe heating furnaces



# TAPKA

## TAPKA INDUCTION FURNACE MANUFACTURING

### Continuous Casting Machine





ماشین سازی  
استیل غرب آسیا



# WEST ASIA STEEL

## Semi-automatic Tray Sealer Packaging Machine





ماشین سازی  
استیل غرب آسیا



# WEST ASIA STEEL

Automatic Tray Sealer  
Packaging Machine







شرکت صافی سازان صفا  
Safi Sazan Safa



IHTECC

# SAFI SAZAN SAFA

## Semi Automatic Filter Press





شرکت صافی سازان صفا  
Safi Sazan Safa



IHTECC

# SAFI SAZAN SAFA

## Plate Filter Press



<https://filter-press.ir>

The background is a stylized, monochromatic blue-toned illustration of an industrial factory. It features silhouettes of various pieces of machinery, including conveyor belts, pipes, and structural beams. A large, multi-paned window is visible in the center, allowing light to filter through. The overall aesthetic is clean and modern, typical of a corporate presentation slide.

**THANKS FOR YOUR  
ATTENTION**