



IRAN HI-TECH EXPORT COMPANIES CLUB

HIGH-TECH MACHINERY
AUGUST 2022

About IHTECC

The number, diversity and competitiveness of Iran's Technology-based Firms (TBFs) is soaring remarkably. Although many of these firms' focus is merely the domestic market, a significant number of them have already entered or on their way to enter the global markets impatiently.

Iran Hi-Tech Export Companies Club (IHTECC) has developed its own model for export readiness assessment (ERA) and already applied it on Iranian technology-based enterprises for the purpose of supporting them to introduce their products, capabilities and experiences to the global markets.

Contact IHTECC



ihtecc@tmisc.ir



+98-905-7139146



+98-905-7139146



+98-21-63106410

IHTECC Approved Products in 7 Series;

1-Agriculture and food industry

2-Medicines and diagnostic products

3-Advanced materials and chemical products

4-High-tech machinery

5-Medical Devices

6-Electronics and Telecommunications

7- Information Technology

The background features a light gray color with a pattern of white line-art gears and circuit traces. The gears are of various sizes and are scattered across the top half of the image. The circuit traces are thin lines forming a grid-like pattern, with some lines ending in small circles, resembling a printed circuit board (PCB) layout. The overall aesthetic is clean, technical, and modern.

IHTECC APPROVED COMPANIES & PRODUCTS IN SECTOR OF:

HIGH-TECH MACHINERY



MAPNA TUGA

MAPNA TURBINE ENGINEERING AND MANUFACTURING

Gas Turbine, Turbo Generator and Turbo
Compressor

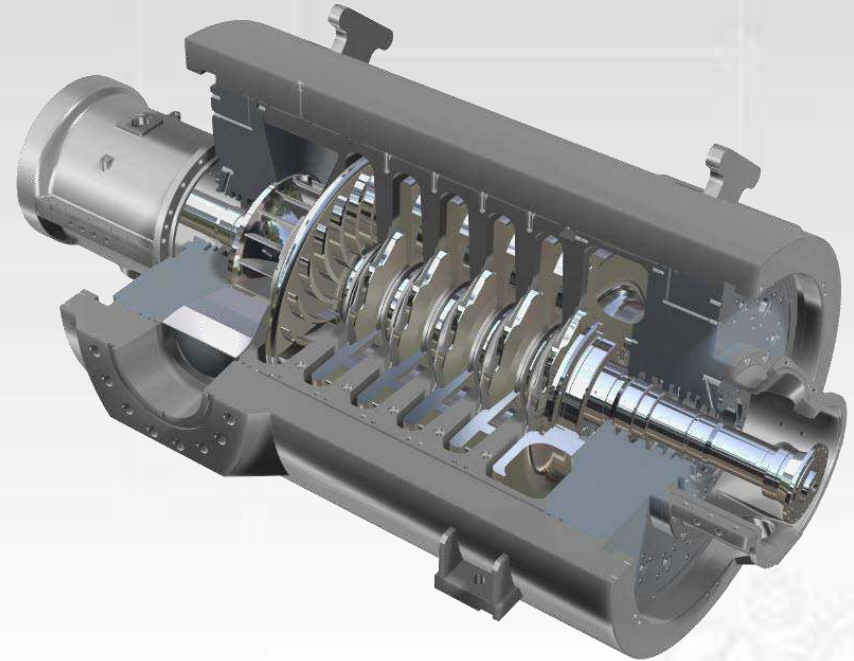




MAPNA TUGA

MAPNA TURBINE ENGINEERING
AND MANUFACTURING

Centrifugal Compressor

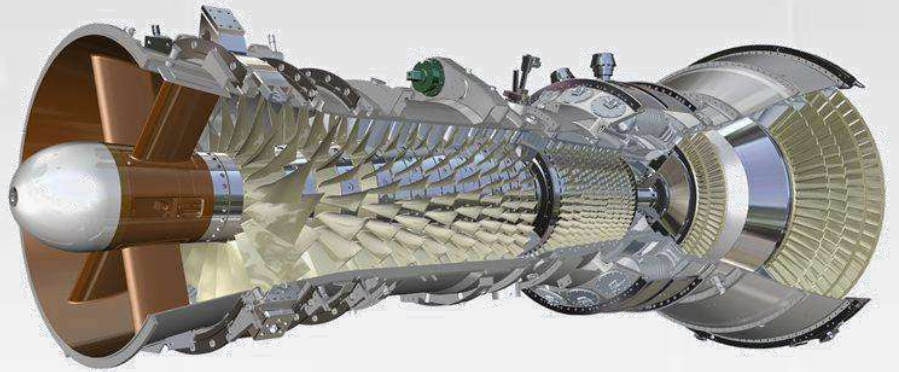




MAPNA TUGA

MAPNA TURBINE ENGINEERING
AND MANUFACTURING

Four bases mobile power plant MGT-30

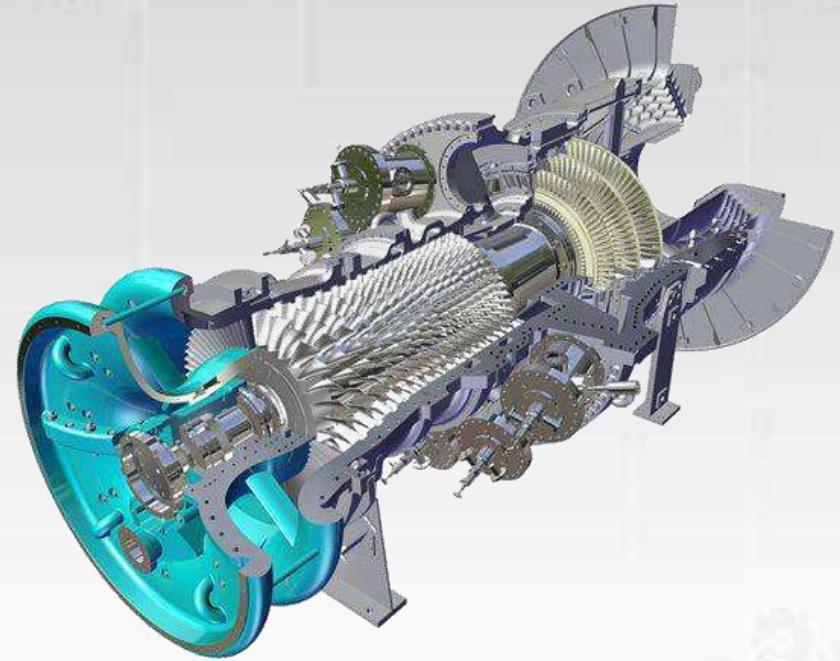




MAPNA TUGA

MAPNA TURBINE ENGINEERING
AND MANUFACTURING

MGT-40 Gas Turbine

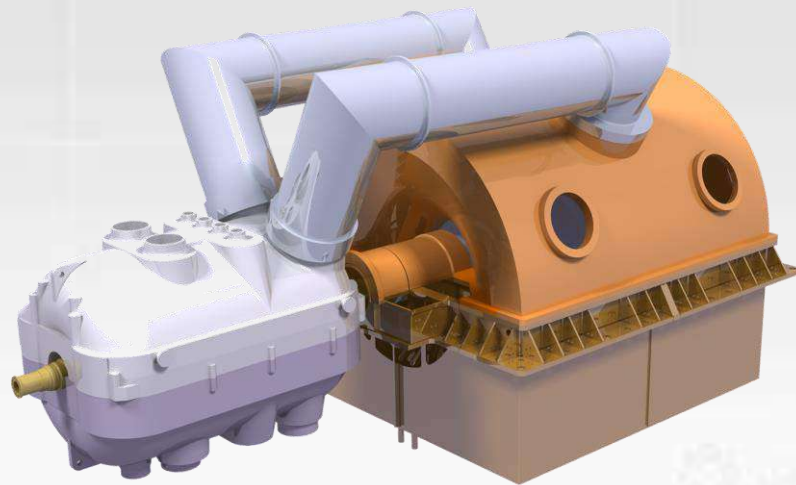




MAPNA TUGA

MAPNA TURBINE ENGINEERING
AND MANUFACTURING

MGT-70 Gas Turbine





MAPNA TUGA

MAPNA TURBINE ENGINEERING AND MANUFACTURING

Steam Turbine MST-50C





MAPNA TURBINE

MAPNA TURBINE ENGINEERING AND MANUFACTURING

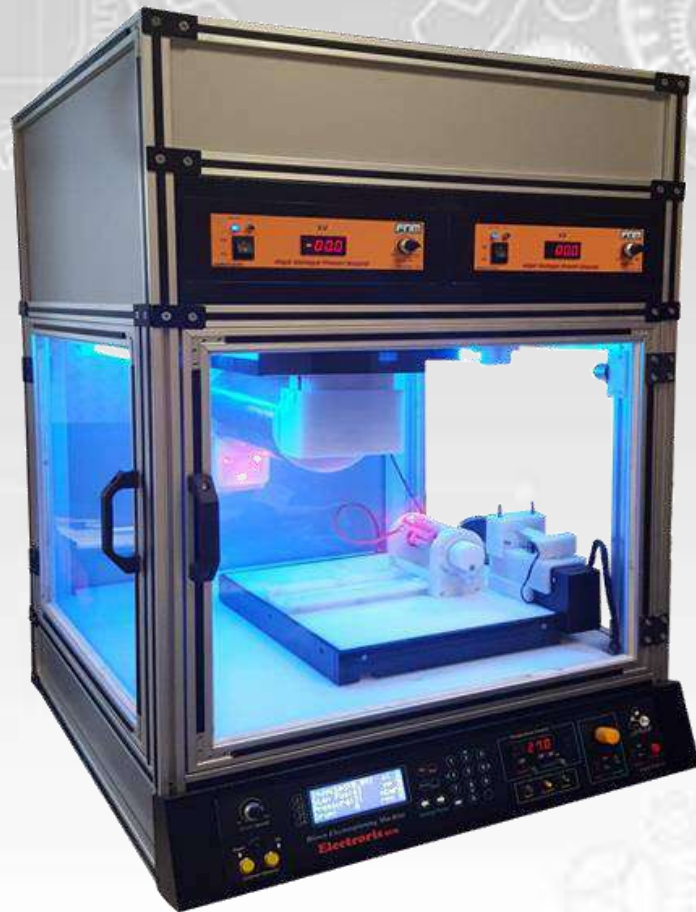
Steam Turbine MGT-70



FNM

FANAVARAN NANO MEGHYAS

Industrial Electrospinning Machine



FNM

FANAVARAN NANO MEGHYAS

Syringe Pump SP



FNM

FANAVARAN NANO MEGHYAS

High Voltage Power Supply



FNM

FANAVARAN NANO MEGHYAS

Capillary electrophoresis



FNM

FANAVARAN NANO MEGHYAS

Respiratory face mask test machine



FNM

FANAVARAN NANO MEGHYAS

Nano Mask





MAPNA BOILER

MAPNA BOILER EQUIPMENT
ENGINEERING MANUFACTURING

Power plant boilers

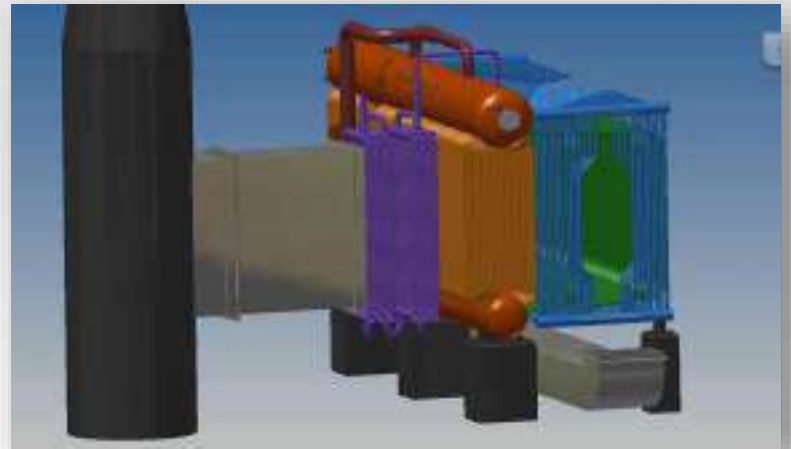




MAPNA BOILER

MAPNA BOILER EQUIPMENT
ENGINEERING MANUFACTURING CO

Water-Tube Industrial /Package Boilers





MAPNA BOILER

MAPNA BOILER EQUIPMENT
ENGINEERING MANUFACTURING CO

Industrial Boilers Drum





MAPNA BOILER

MAPNA BOILER EQUIPMENT
ENGINEERING MANUFACTURING CO

Purification system of black wastewater

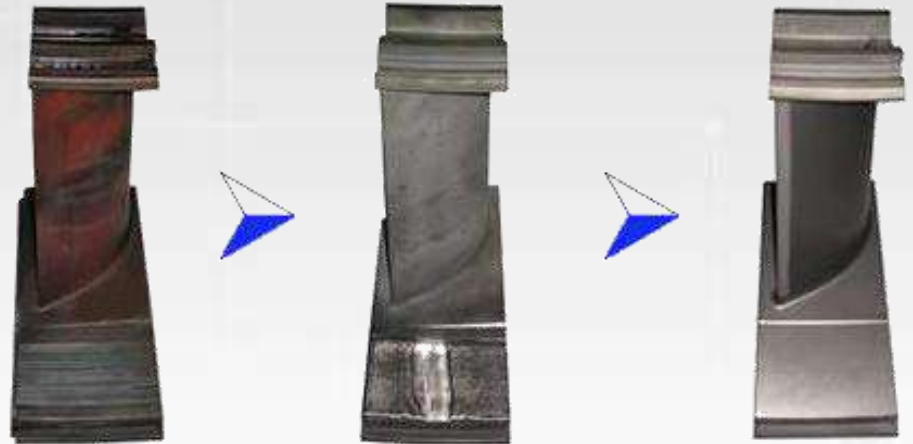




MAVADKARAN

MAVADKARAN JAHEDNOAVAR
ENGINEER CO

GE turbine blades and nozzles





MAVADKARAN

MAVADKARAN JAHEDNOAVAR
ENGINEER CO

Refurbishment of turbine parts





MAVADKARAN

MAVADKARAN JAHEDNOAVAR
ENGINEER CO

hot gas turbine blade (casting- forging)





MAVADKARAN

MAVADKARAN JAHEDNOAVAR
ENGINEER CO

Turbine liner





MAVADKARAN



Titanium or superalloy turbine blade



<http://www.mavadkaran.com/>



MAPNA PARTO

MAPNA TURBINE BLADE ENGINEERING
AND MANUFACTURING COMPANY PARTO

Gas Turbine Blades





MAPNA PARTO

MAPNA TURBINE BLADE ENGINEERING
AND MANUFACTURING COMPANY PARTO

Turbine Blades - SGT 400





MAPNA PARTO

MAPNA TURBINE BLADE ENGINEERING
AND MANUFACTURING COMPANY PARTO

Turbine Blades - GT13





MAPNA PARTO

MAPNA TURBINE BLADE ENGINEERING
AND MANUFACTURING COMPANY PARTO

Turbine Blades -GE-F5





MAPNA PARTO

MAPNA TURBINE BLADE ENGINEERING AND
MANUFACTURING COMPANY PARTO

Turbine Blades - MGT30
www.mapnablade.com





MAPNA PARTO

MAPNA TURBINE BLADE ENGINEERING AND
MANUFACTURING COMPANY PARTO

Turbine Blades - GE -F9





MAPNA PARTO

MAPNA TURBINE BLADE ENGINEERING AND
MANUFACTURING COMPANY PARTO

Turbine Blades - MGT70 (MAP2B,MAP2A,MAP2+)





MAPNA PARTO

MAPNA TURBINE BLADE ENGINEERING
AND MANUFACTURING COMPANY PARTO

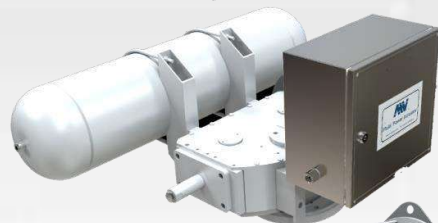
Turbine Blades -V94.2





ARDABIL INDUSTRIAL VALVES

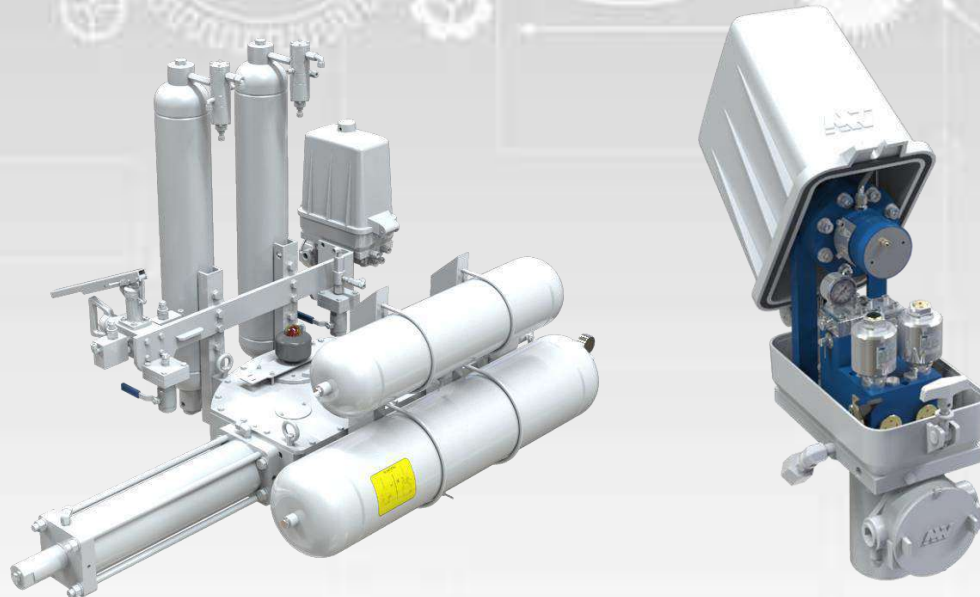
Ball Valves and Valve Actuators





ARDABIL INDUSTRIAL VALVES

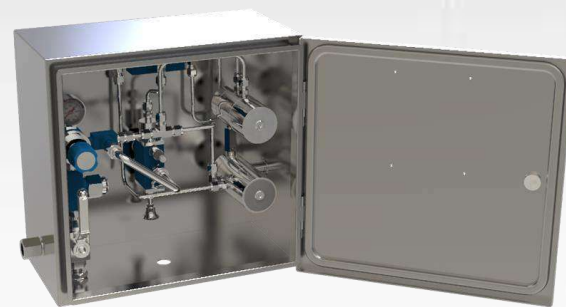
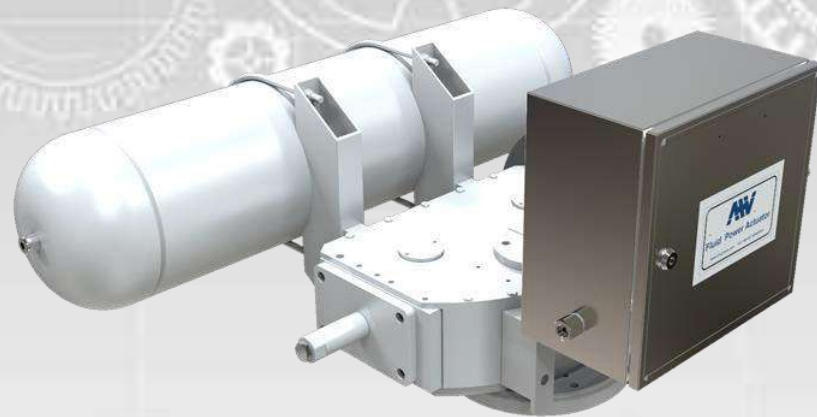
GAS over oil Actuator





ARDABIL INDUSTRIAL VALVES

Pneumatic Actuator





PETROSAZEH BEINOLMELAL ARAM

Spherical Pressure Vessels

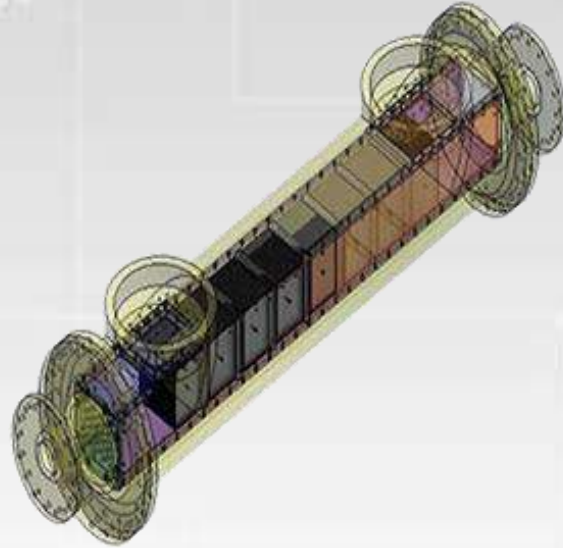




آتیہ پردازان شریف
Atieh Pardazan Sharif

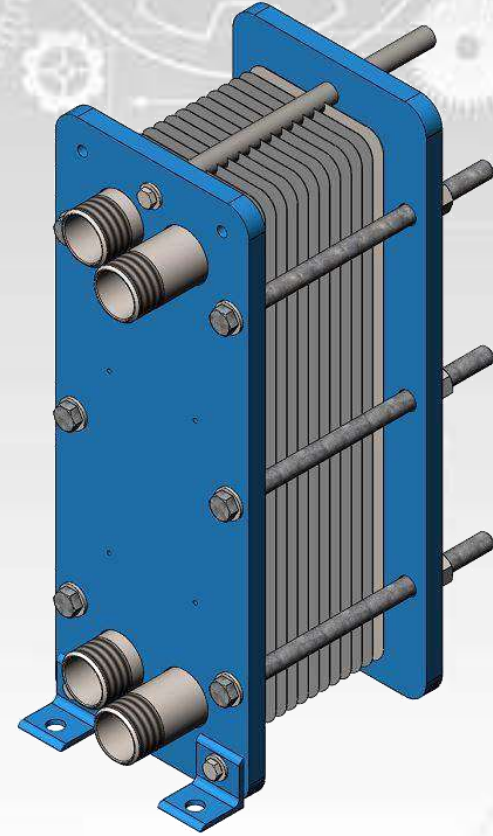
ATIEH PARDAZAN SHARIF

Anode for seawater electrolysis



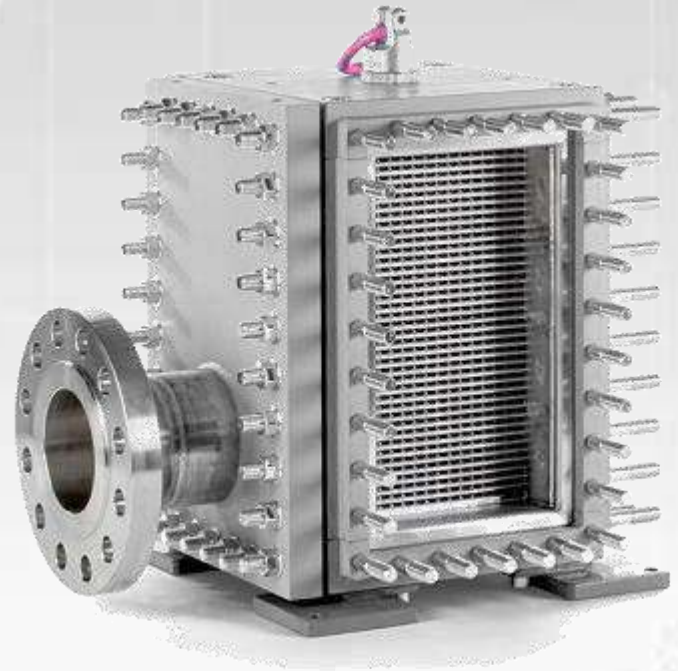
TAHA GHALEB TOOS

Plate heat exchangers



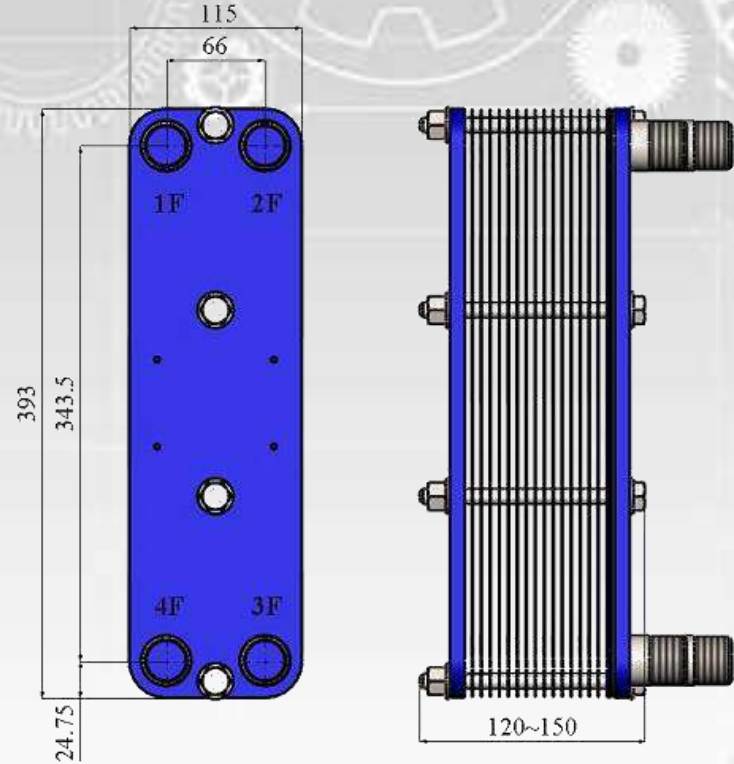
TAHA GHALEB TOOS

Plate heat exchangers with Diaphragm



TAHA GHALEB TOOS

Plate heat exchangers with Diaphragm - PH



TAHA GHALEB TOOS

Semi-welded PHE



TAHA GHALEB TOOS

Welded PHE





PUMPIRAN

NON API Pumps With Power of 150 kw
and Above





PUMPIRAN

API Pumps With Power of 100 kw and Above





PUMPIRAN

API Pumps With Power of 100 kw
and less





PUMPIRAN

NON API Pumps With Power
between 30 and 149





صنایع آذرآب

AZARAB

IHTECC

Shell and tube heat exchanger



<http://www.azarab.ir/en/home>



صنایع آذرآب

AZARAB

IHTECC

Industrial boilers (SD type), package (SC type)
and power plant boilers (SR and SN) with
natural circulation system



<http://www.azarab.ir/en/home>



صنایع آذرآب

AZARAB

IHTECC

Pressure tanks or cylindrical storage with a shell thickness of more than 80 mm



<http://www.azarab.ir/en/home>



صنایع آذرآب

AZARAB

IHTECC

Pressure vessels or spherical storage





صنایع آذرآب

AZARAB

IHTECC

Industrial shell and tube heat exchangers (non-titanium) with a temperature lower than 450 C



<http://www.azarab.ir/en/home>



MAPNA LOCOMOTIVE

Cargo and tunnel locomotives





MAPNA LOCOMOTIVE

MAPNATL tunnel locomotive





MAPNA LOCOMOTIVE

Locomotive bogie





NANOSTRUCTURED COATINGS

Desk Sputter Coater





NANOSTRUCTURED COATINGS

Thermal Evaporation Deposition coating layer





NANOSTRUCTURED COATINGS

Carbon deposition device





NANOSTRUCTURED COATINGS

pulsed laser and thermal evaporation deposition
device



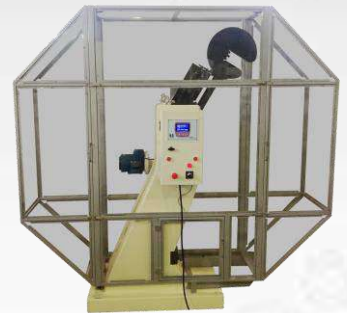
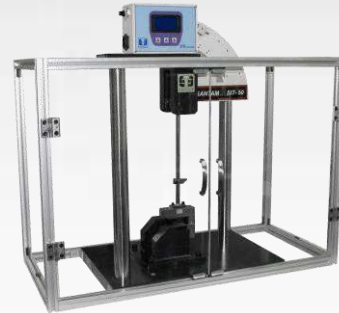
SANTAM

Universal Tensile tester



SANTAM

A collection of Charpy and Izod impact testing devices with a capacity of more than 300j, including accessories



SANTAM

Melt Flow Index (MFI)



SANTAM

The set of machine dynamics and vibration laboratory devices



SANTAM

A set of laboratory tests
for Strength of materials



SANTAM

Bending and unbending testing machine



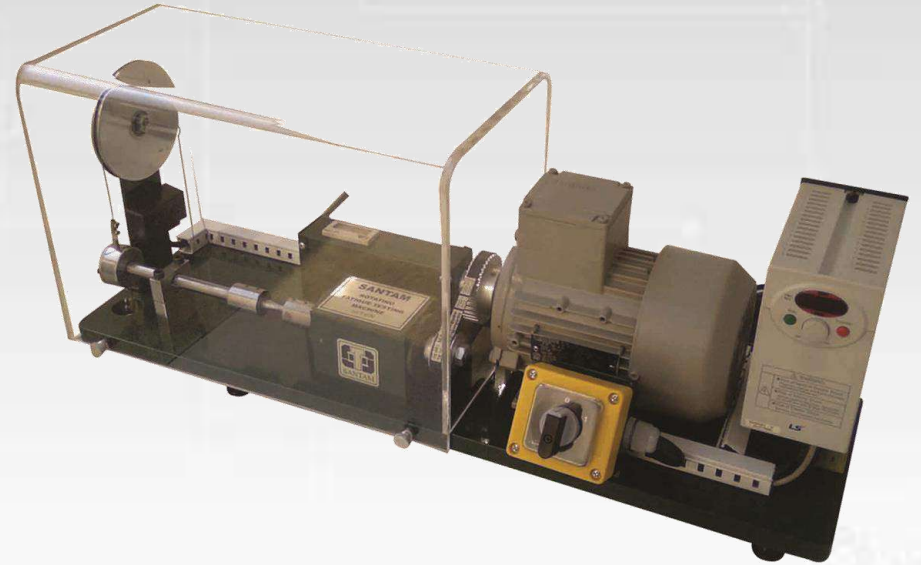
SANTAM

Universal hardness tester



SANTAM

Rotary fatigue testing machine



SANTAM

data logger-16channel



SANTAM

Creep test



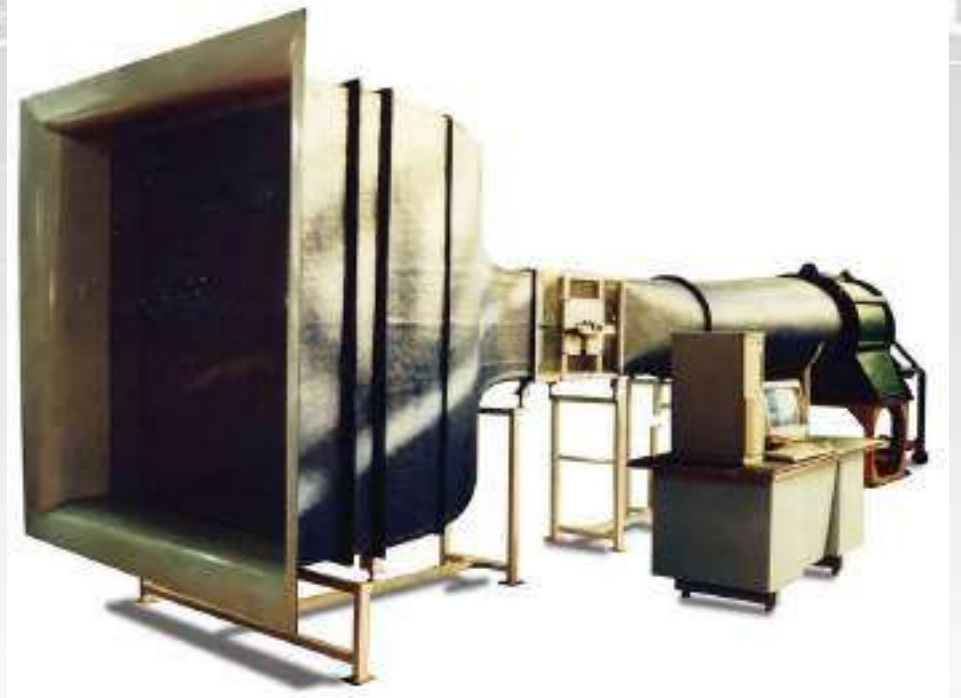
SANTAM

Ericsson test device



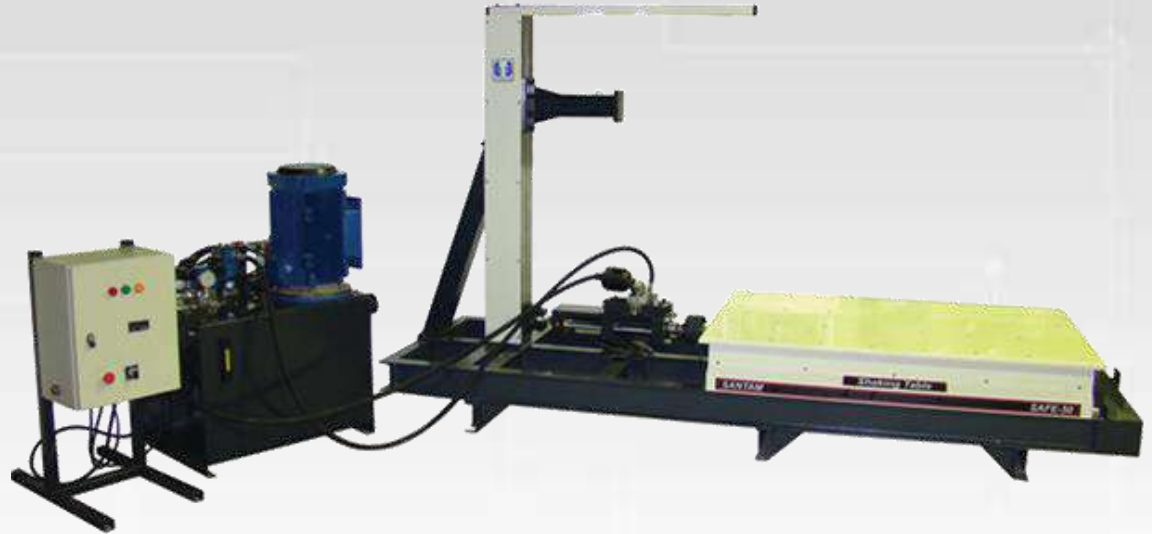
SANTAM

Wind tunnel testing machine



SANTAM

Vibration table machine



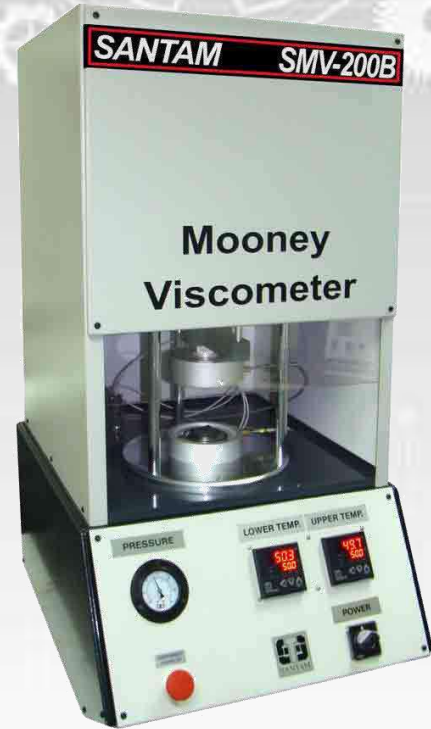
SANTAM

Hydraulic axial fatigue testing devices without
ADAPTIVE CONTROL capability, including
accessories



SANTAM

Rheometer and Moony Viscometer devices



SANTAM

hot torsion testing machine(300Nm)
with the ability to draw a torque
diagram



PNF

**PAYAMAVARAN NANOFANAVARI
FARDANEGAR**

Wastewater treatment



PNF

**PAYAMAVARAN NANOFANAVARI
FARDANEGAR**

Reverse electrodialysis desalination



PNF

**PAYAMAVARAN NANOFANAVARI
FARDANEGAR**

Metal nanocolloid production device by
electric explosion PNC1K-D



PNF

**PAYAMAVARAN NANOFANAVARI
FARDANEGAR**

Cavitation



PNF

**PAYAMAVARAN NANOFANAVARI
FARDANEGAR**

Arsenic removal system device 20 cubic meters;
Arsenic removal system device model AS-FE-20;
Arsenic removal unit from drinking water using
nano adsorbent



IRAN KODRO INDUSTRIALS DIEAS

Design and manufacture of large
scale metal molds for the stretching
process



AROKO BIO ENGINEERING

Fermenters - Bioreactor Steel Vessels,



AROKO BIO ENGINEERING

Kill Tank



AROKO BIO ENGINEERING

Gases and liquids purification filters





MASHHAD BAKING INDUSTRIES

Production line of fully automatic bread baking
machine with indirect heat





MAKHZAN FOOLAD RAFE

Steam Boiler





MAKHZAN FOOLAD RAFE

Condensing boiler





MAKHZAN FOOLAD RAFE

Box Annealing Furnace





OMIDI

MACHINSAZI OMIDI KAREN LAHIJ

Automatic production line of
Bread & cookie





OMIDI

MACHINSAZI OMIDI KAREN LAHIJ

Automatic production line
of layered cake and roll cake





SOUT MACHINE

Milk Pasteurizer System





SOUT MACHINE

Milk ultrafiltration device (UF)





SOUT MACHINE

Portable pasteurized cheese production system





SOUT MACHINE

Latex Condom Production Line



GAS SOUZAN

Diaphragm Gas Meter with Remote Reading Capability



GAS SOUZAN

Mass-thermal gas meter



GAS SOUZAN

Diaphragm gas meter



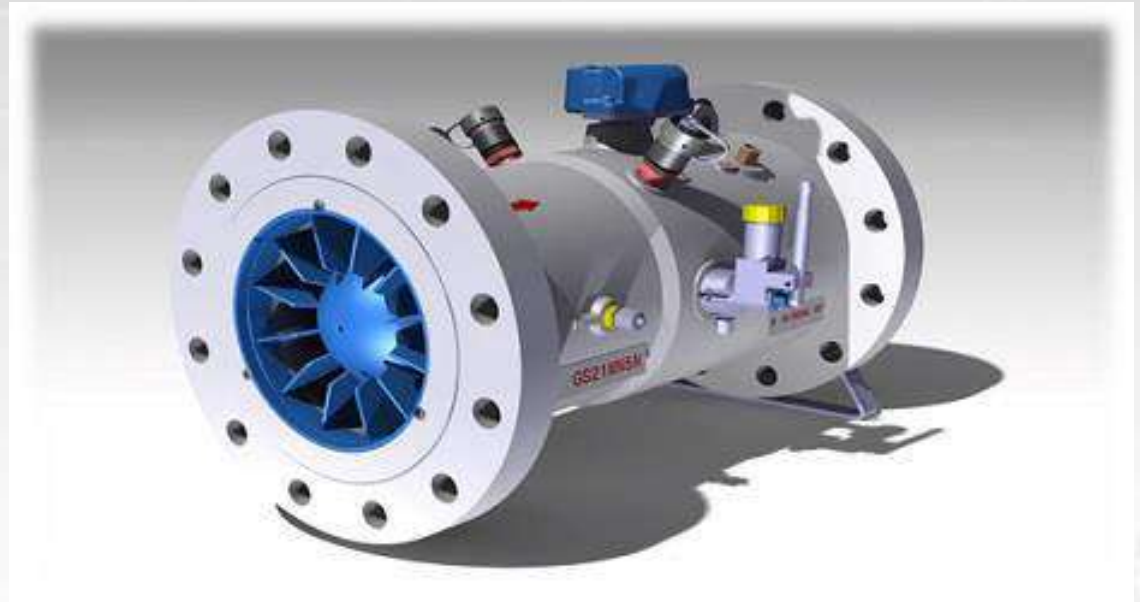
GAS SOUZAN

Turbine gas meter rectifier



GAS SOUZAN

Turbine gas meter





VISPAR

PAYA BASPAR ARYA

Polymer Valves



ویسیار
VISPAR



IHTECC

VISPAR

PAYA BASPAR ARYA

Constant flow rate dropper



<https://www.vispar.co/>



KHAZAR ELECTRIC INDUSTRY

Feed pellet press line





KHAZAR ELECTRIC INDUSTRY

capacitive humidity meter device





POLE IDEAL PARS CO

Universal high speed
refrigerated centrifuge





NATSYCO

NANOTECHNOLOGY SYSTEM CO

Scanning Probe Microscopy / SPM





NANOTECHNOLOGY SYSTEM CO

NANOTECHNOLOGY SYSTEM CO

Scanning Tunneling Microscope / STM





NATSYCO

NANOTECHNOLOGY SYSTEM CO

Atomic force microscope





NATSYCO

NANOTECHNOLOGY SYSTEM CO

Hyperthermia





**DANESH PAJOOHESH
FAJR**



Deep Freezer -80°C with Two Refrigeration Cycles



<http://www.dpf-bloodbank.com/>



**DANESH PAJOOHESH
FAJR CO**



Laboratory freezer -40



<http://www.dpf-bloodbank.com>

KARA SAZEH

CNC Pipe Cutting Machine With Chamfer



KARA SAZEH

kara cnc plate
drilling machine



TOZ MACHINE

TOZIRAN

Cement block production machine

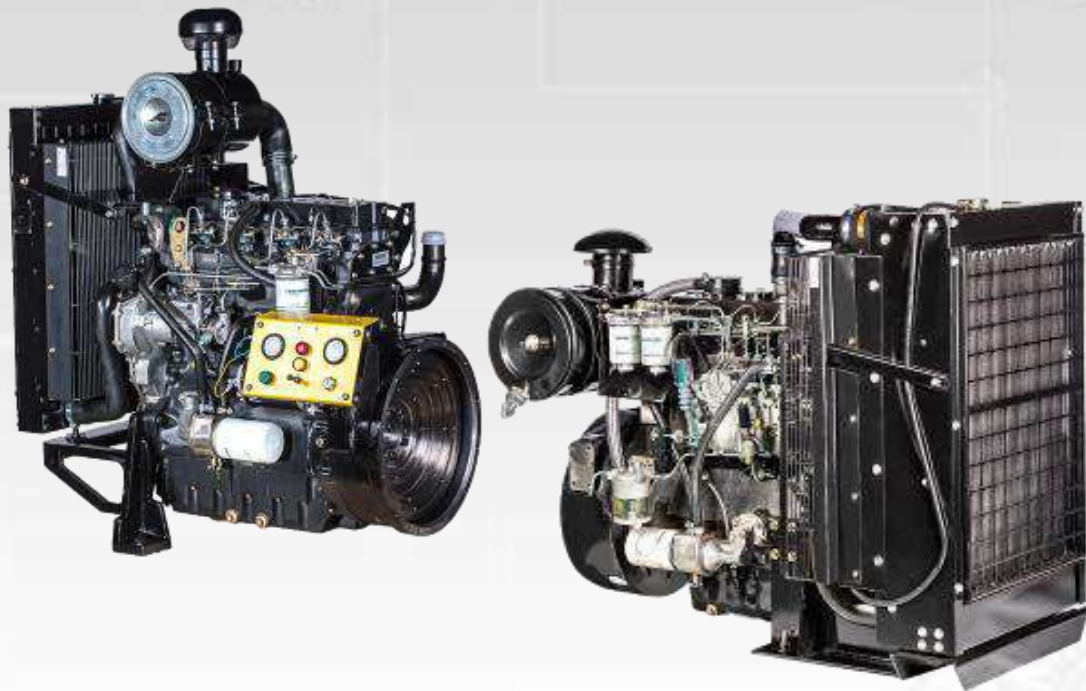


MOTORSAZAN



MOTORSAZAN

Diesel engines MTI440



<http://www.motorsazan.ir>

MOTORSAZAN



IHTECC

MOTORSAZAN

Diesel engines MT660A-150AD



<http://www.motorsazan.ir>

MOTORSAZAN



IHTECC

MOTORSAZAN

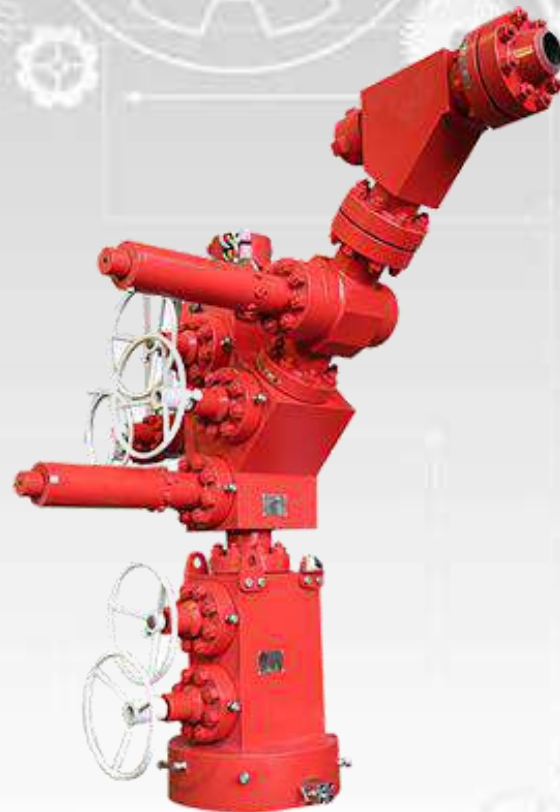
cylinder naturally aspirated diesel engine MN325D-45AD



<http://www.motorsazan.ir>

MACHINE SAZI ARAK

X-MAS TREE & Tubing Head Spool



MACHINE SAZI ARAK

Distillation Towers



MACHINE SAZI ARAK

WELL HEAD



MACHINE SAZI ARAK

Trunnion mounted soft seat ball valve



MACHINE SAZI ARAK

Gate valve



MACHINE SAZI ARAK

Titanium heat exchanger



MACHINE SAZI ARAK

Spherical tanks with a thickness
of less than 50 mm





FARATAHGHIGH SEPAHAN SBR

Iron and Steel Project





FARATAHIGH SEPAHAN SBR

Dry dust collectors





KOOSHESHKARAN

Rotary 8 Piston filling Machine





KOOSHESHKARAN

tri-block





KOOSHESHKARAN

super-block





KOOSHESHKARAN

mono-block





KOOSHESHKARAN

shrink pack





KOOSHESHKARAN

labeling-machine





FANA VARY NOVIN NIROO

Design and construction of
hydromechanical equipment for
dams



OZONEAB CO

Industrial Ozone Generator Machine

